

**WARNING:** DISCONNECT POWER AT THE MAIN FUSE BOX BEFORE INSTALLATION.

**WARNING:**

This fixture is intended for installation in accordance with the National Electrical Code (NEC) and all local code specifications. If you are not familiar with code requirements, installation by a certified electrician is recommended.

Before assembly, remove all parts and part packages from box. If anything is missing, please contact the retailer from which the product was purchased.

*elk* HOME

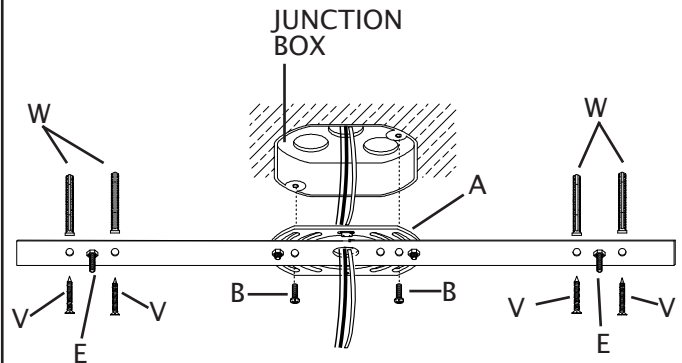
ANY QUESTIONS CALL: 800-613-3261  
M-F 8:00AM-6:00PM ET

ITEM#: 12306/6

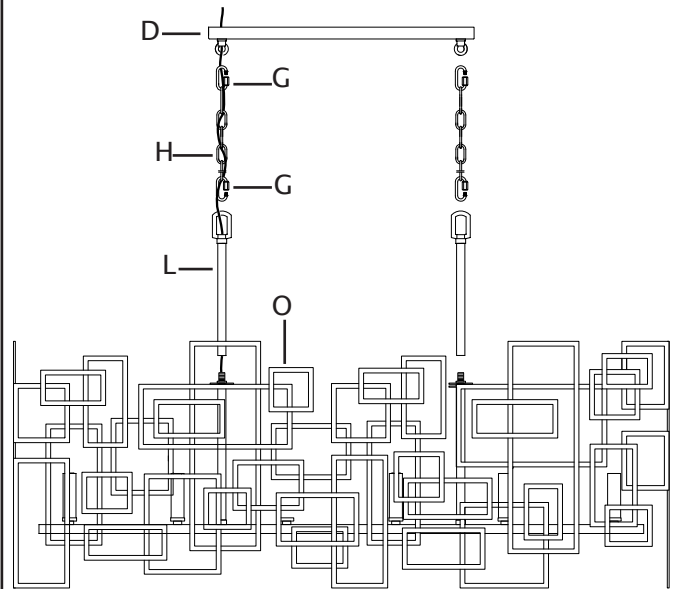
1. Position mounting bracket (A) so fixture mounting screws (E) attached to mounting bracket (A) are pointing down towards floor.
2. Align holes in mounting bracket with holes in junction box. While holding mounting bracket in correct position, mark with a pencil on ceiling the location of the four (4) holes in bar on mounting bracket. (Two holes on each end of bar on mounting bracket.) Set bracket aside while installing anchors.
3. Using a drill bit the appropriate size for the included anchor (W), drill a hole at each marked location.
4. Using hammer, carefully tap one anchor (W) into each hole. Lip of anchor (W) should be flush with ceiling.
5. Carefully pull house wires down out of junction box so house wires are easily accessed to connect fixture wires.
6. Position mounting bracket (A) so fixture mounting screws (E) attached to mounting bracket (A) are pointing down towards floor.
7. Carefully pull the house wires through hole in center of the mounting bracket (A).
8. Align holes in the mounting bracket (A) with holes in junction box. Align holes in ends of bar on mounting bracket with anchors (W).
9. Thread each junction box screw (B) into appropriate holes in mounting bracket (A) and into holes in junction box.
10. Thread each anchor screw (V) into each hole in bar on mounting bracket (A).
11. Tighten junction box screws (B) and anchor screws (V) to attach mounting bracket (A) to junction box.

**CAUTION:** Make sure house wires are still easily accessible.

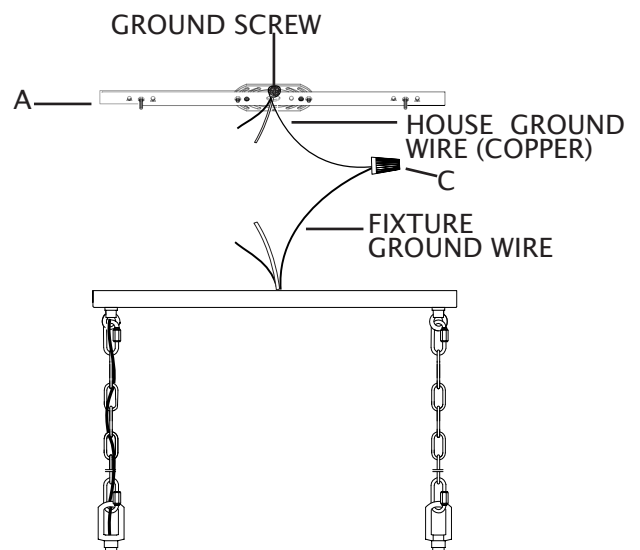
DO NOT pinch wires between mounting bracket and ceiling.



12. Hold one stem (L) so loop is at top. On side of fixture without wires, thread end of stem (L) onto threaded pipe on top of fixture body.
13. Hold second stem (L) so loop is at top. On side of fixture with wires, carefully push fixture wires from fixture body up through hole in bottom of stem (L). Carefully pull wires through hole in top of stem (L). Screw stem (L) onto threaded pipe on top of fixture body. DO NOT pinch wires between stem (L) and fixture.
14. Attach one locking link (G) onto each loop on top of each stem (L).
15. Determine desired hanging height of fixture. Remove chain links (H) to achieve desired height. Make sure each chain (H) is the same length.
16. Attach chain link at end of one chain section (H) to one locking link (G) attached to loop on top of one stem (L).
17. Attach chain link at end of second chain section (H) to second locking link (G) attached to loop on top of second stem (L).
18. Attach one locking link (G) to last chain link on one section of chain (H). Repeat this step for last locking link (G) on second section of chain (H).
19. Weave fixture wires through chain links, skipping every other chain link.
20. Position canopy (D) so small loops on canopy (D) are pointing down towards fixture. Push fixture wires up through loop on canopy (D). Pull fixture wires through hole in canopy (D).
21. Attach locking link (G) at end of one section of chain (H) to small loop on canopy (D). Repeat this step for locking link (G) on second section of chain (H).



22. Strip 3/4" of insulation from ends of fixture wires.
23. Slightly loosen ground screw on mounting bracket (A). Do not completely remove ground screw. Wrap house ground wire (copper) around ground screw, leaving enough ground wire to attach to fixture ground wire. Twist end of fixture ground wire and end of house ground wire (copper) together. Twist wire nut (C) onto ends of wires. Completely tighten wire nut (C). Reference chart below for correct wire connections.

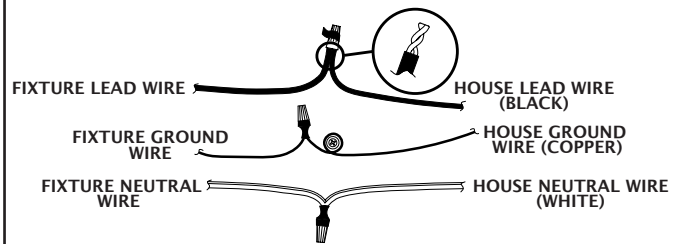


Connect Supply (House) Ground Copper Wire to:
Bare Copper Wire or,
Bare Silver Wire or,
Green Insulated Wire.

24. Twist end of house lead wire (black) and end of fixture lead wire together. Twist wire nut (C) onto ends of wires. Completely tighten wire nut (C). Twist end of house neutral wire (white) and end of fixture neutral wire together. Twist wire nut (C) onto ends of wires. Completely tighten wire nut (C). Reference chart to the right for correct wire connections.
25. Wrap electrical tape (not included) around wire nuts (C) and wires. Ensure wires are securely fastened into wire nuts.
26. Carefully push all wires and wire nuts into junction box.

Connect Black Lead Supply (House) Wire to:	Connect White Neutral Supply (House) Wire to:
Black Wire or,	White Wire or,
*Parallel Cord (Round and Smooth) or,	*Parallel Cord (Square and Ridged) or,
No printed words on wire insulation or,	Printed words on wire insulation or,
Insulated Wire (other than green) with Copper Conductor.	Insulated Wire (other than green) with Silver Conductor.

\*When parallel wire (SPT 1 & SPT 2) is used:  
The lead wire is round in shape or smooth.  
The neutral wire is square in shape or ridged.



27. Carefully raise fixture up to ceiling. Pass two holes in canopy (D) over ends of fixture mounting screws (E) on mounting bracket (A).
28. Screw one threaded cap (F) onto end of each fixture mounting screw (E). Tighten threaded caps (F) to secure fixture to ceiling.
29. Screw recommended bulbs (E12 Candelabra bulb type, not included) into sockets. Verify correct bulb wattage marked on socket of fixture. **WARNING: DO NOT** exceed maximum bulb wattage.

